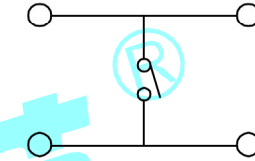
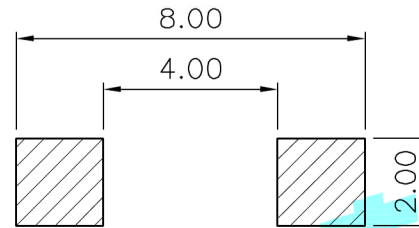
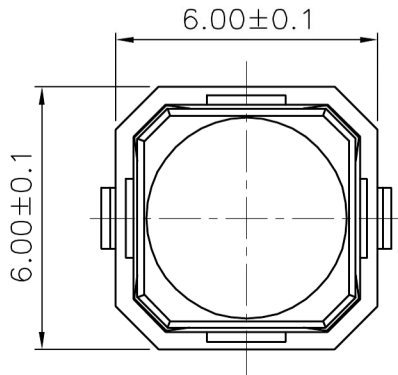
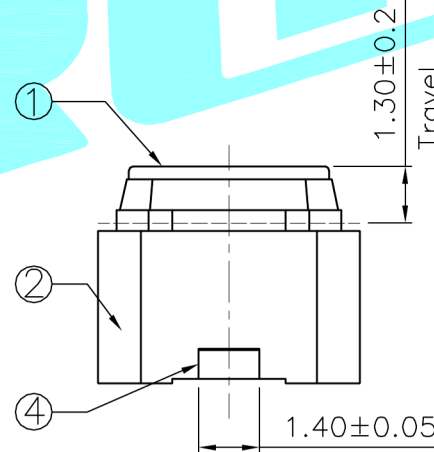
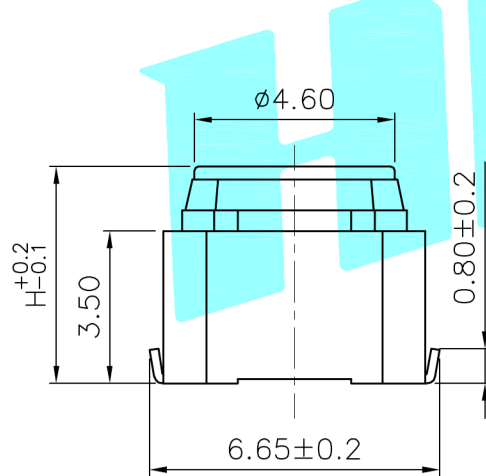


Typical Specifications :
 1. Rating : DC 12V 50mA
 2. Life:100,000 Cycles Min.



Circuit Diagram

PCB Layout(Pattern side)



NO.1	
PART NO	H
A	4.3
C	5

NO.5-NO.6	
PART NO	NOTE
01~99	SERIAL NUMBER

NO.2	
PART NO	vigor
3	180±30
4	250±30
5	350±50

⑤	Waterproof Silicone	—	1	Silica gel	—	—
④	Terminal	—	2	Phosphor Bronze	Plating silver	—
③	Contact	—	1	Phosphor Bronze	Ag Clad	—
②	Base	—	1	LCP	Black	—
①	Keystoke	—	1	LCP	Black	—
ITEM	PART NAME	TER'NO.	QTY.	MATERIAL	FINISHING	REMARK

APPROVALS		DATE	 ELECTRONICS CO.,LTD			
DRAWN	xu qi feng	2014.11.06	TITLE:	TACT SWITCHS		
CHECKED			PART NO.	K2-1817UQ-□□CW-□□		
APPROVALS			TOLERANCES ARE	30~以下 ±0.30 10~30 ±0.20 5~10 ±0.15 ~ 5 ±0.10	ANGLE	±2'
			UNIT: mm	SCALE: 1:1	PROJ:	
ECN NO.	REV.	DATE.	DESCRIPTION.	CHANGE.	CHECK.	APPRO.

—	A	—	NEW	—	—	—
ECN NO.	REV.	DATE.	DESCRIPTION.	CHANGE.	CHECK.	APPRO.